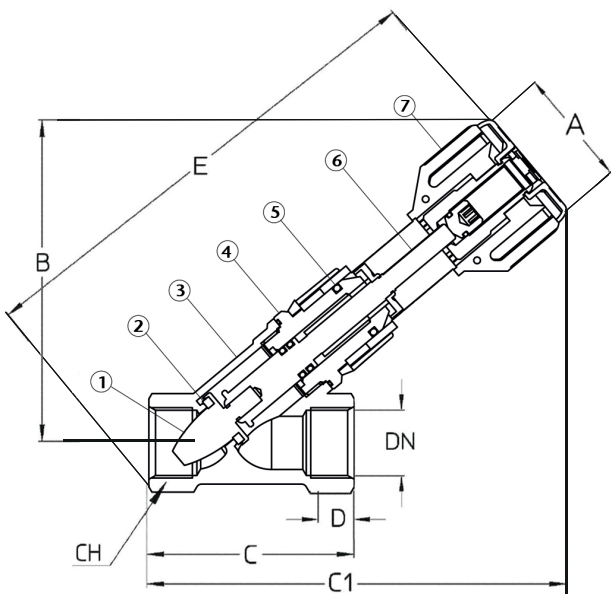
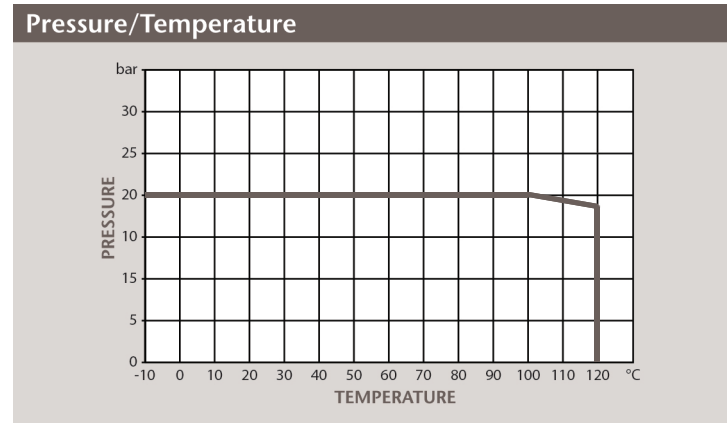




## PN20 DZR Double Regulating Valve (DRV)

### Features

- BSP parallel (ISO 7/1)
- Position indicator
- Double regulating valve
- Non rising stem
- EPDM disk seating gives tight shut off
- 1/2" available in Std. and Low flow versions
- Available with 'M' Press ends ART 26 PRS



DN	1/2" L	1/2"	3/4"	1"	1 1/4"	1 1/2"	2"
A	51	51	51	51	51	57	57
B	104	104	121	133	141	181	190
C	68	68	77	91	108	116	143
C1	138	138	156.5	161	172	213	231.5
D	16.5	16.5	18	21	23	23	26
E	161	161	187	200	219	275	300
CH	28	28	33	40	51	56	71
Kv	1.28	3.91	7.28	11.76	21.60	28.46	50.52
Kgs	0.48	0.48	0.65	0.85	1.28	1.84	2.86

### Technical Data

Max Pressure	20 Bar
Working Temperature	-10°C to +120°C

N.	Part Name	Materials
1	Cone	DZR Brass
2	Cone Seat	EPDM Rubber
3	Body	DZR Brass
4	Bonnet	DZR Brass
5	'O' Rings	Nitrile Rubber
6	Stem	DZR Brass
7	Handwheel	Nylon 6

Dimensions in mm

This data sheet is designed as a guide and should not be regarded as wholly accurate in every detail. We reserve the right to amend the specification of any product without notice.