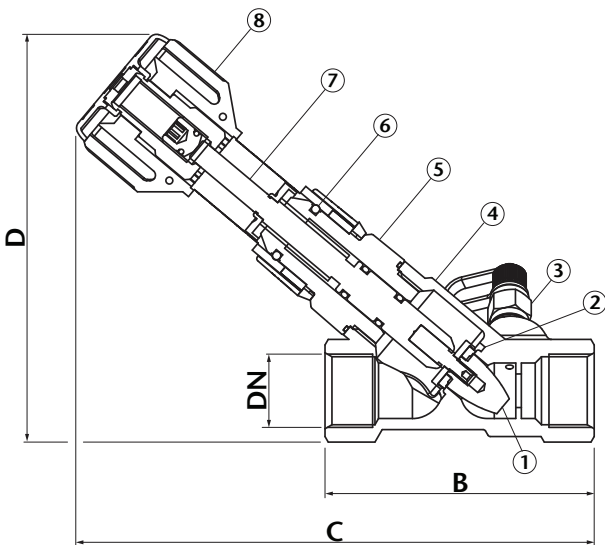




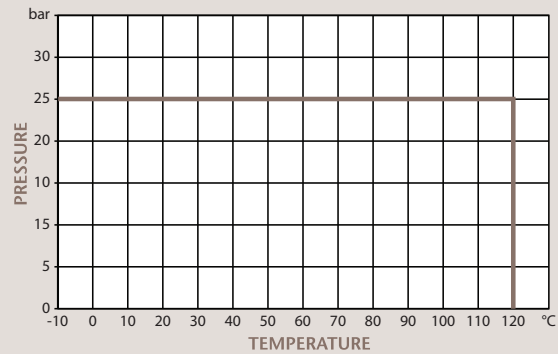
## PN25 DZR Fixed Orifice Double Regulating Valve (FODRV)

### Features

- BSP parallel (ISO 7/1)
- Fixed orifice with  $\pm 5\%$  flow measurement accuracy
- Position indicator
- Supplied with 2 fitted test points
- EPDM disk seating gives tight shut off
- Available with 'M' Press ends ART 25 PRS



### Pressure/Temperature



DN	1/2"	3/4"	1"	1 1/4"	1 1/2"	2"
B	85	97	113	144	163	193
C	163	187	188	208.5	260	281.5
D	125	146	159	169	212	230
Kv	1.75	3.77	6.96	15.83	21.05	43.90
Kvs	1.80	4.10	7.50	16.60	23.00	47.40
Kgs	0.70	0.98	1.14	1.66	2.50	3.74

### Technical Data

Max Pressure	25 Bar
Working Temperature	-10°C to +120°C

N.	Part Name	Materials
1	Cone	DZR Brass
2	Cone Seat	EPDM Rubber
3	Pressure Test Point	DZR Brass
4	Body	DZR Brass
5	Bonnet	DZR Brass
6	'O' Rings	Nitrile Rubber
7	Stem	DZR Brass
8	Handwheel	Nylon 6

Dimensions in mm

This data sheet is designed as a guide and should not be regarded as wholly accurate in every detail. We reserve the right to amend the specification of any product without notice.