

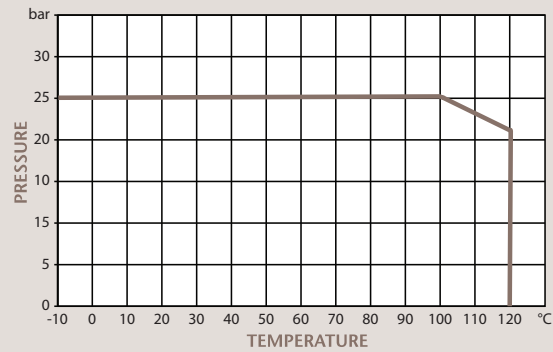
DZR Double Regulating Valve (DRV)

Features

- BSP Parallel (ISO 228/1)
- Handwheel with shut off function and clear 360° reading
- Digital scale with lock function
- WRAS Approved

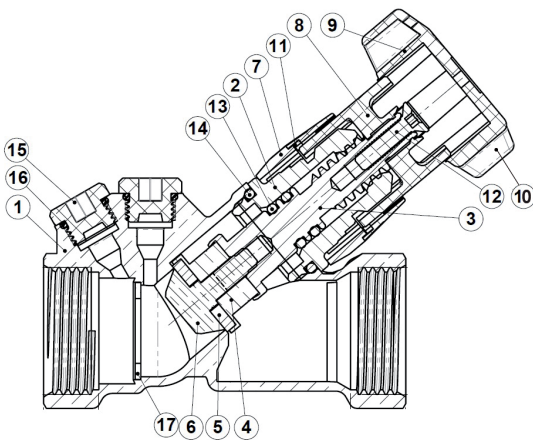
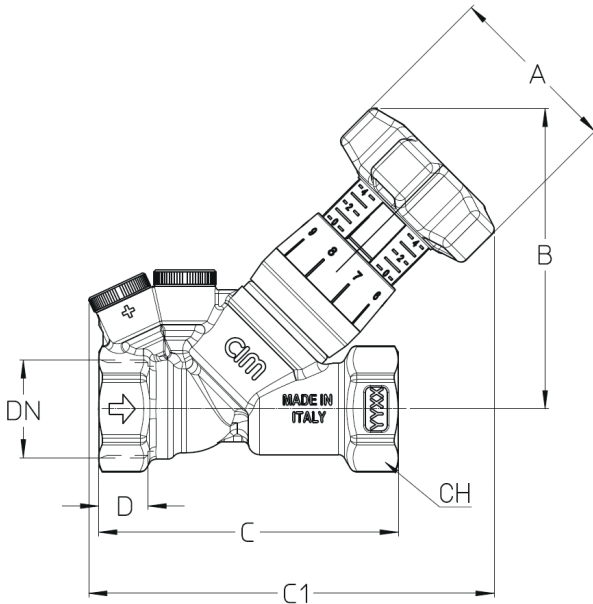


Pressure/Temperature



DN	1/2" L	1/2"	3/4"	1"	1 1/4"	1 1/2"	2"
A	50	50	50	50	50	50	50
B	83	83	82	84	87	107	103
C	72.5	72.5	82	95	122	138	161
C1	107	107	110.5	124	131	149	164
D	12.5	12.5	12.5	14.5	16	16	16
CH	25	25	31	38	47	55	66
Kv	0.533	2.00	3.88	7.28	13.39	18.60	30.10
Kgs	0.36	0.36	0.42	0.50	0.85	1.33	1.46

N.	Part Name	Materials
1	Valve Body	DZR Brass - CW602N-M
2	Bonnet	DZR Brass - CW602N-M
3	Stem for Shutter	DZR Brass - CW602N-M
4	Adapter for Shutter	Brass
5	Shutter Gasket	EPDM
6	Disc	DZR Brass - CW602N-M
7	Fixed Index	POM
8	Entrainer	Nylon 6
9	Knob	Nylon 6
10	Handwheel	Plastic
11	Tenth Turn Index	POM
12	Memory Screw	Steel
13	Stem O-Ring	EPDM
14	Bonnet O-Ring	EPDM
15	Cap	Nylon
16	O-Ring	EPDM
17	Fixed Orifice	DZR Brass - CW602N-M



Technical Data

Max Pressure	25 Bar
Working Temperature	-10°C to +120°C

Dimensions in mm

This data sheet is designed as a guide and should not be regarded as wholly accurate in every detail. We reserve the right to amend the specification of any product without notice.