

Vernis Blend
Single lever basin mixer 190 without waste set
 Surfaces: **matt black** Art. no. : **71582670**



Description

product features

- ComfortZone 190 provides space for greater freedom of movement
- spout 108 mm long
- spout height: 190 mm
- free-standing installation
- Spray pattern: normal spray
- spray direction can be adjusted to minimise splash back
- Maximum flow rate (at 3 bar): 5 l/min
- Min. operating pressure: 1 bar
- Max. operating pressure: 10 bar
- ceramic cartridge

Article Details

Price excl. VAT

£ 164.96

Technology



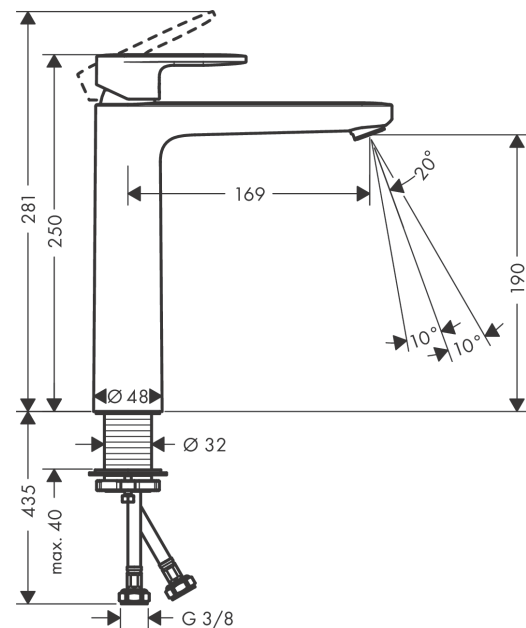
Certificates



Product image



Scale drawing



Flowchart

