

Vernis Blend**Electronic basin mixer with temperature pre-adjustment mains connection 230 V**Surfaces: **chrome** Art. no. : **71501000****Description****product features**

- ComfortZone 100 provides space for greater freedom of movement
- spout 112 mm long
- Spray pattern: normal spray
- spray direction can be adjusted to minimise splash back
- Maximum flow rate (at 3 bar): 5 l/min
- temperature pre-adjustable
- with isolated water conduction - without contact with nickel and lead
- Non-return valve
- infrared sensor technology
- automatic environmental adjustment of infrared sensor
- 230 V / 50 Hz mains connection
- Flushing time adjustable
- Flushing time: 10 s, 20 s, 30 s
- hygiene rinse activatable (automatic water flow)
- frequency of hygiene rinse: 24 h, 48 h, 72 h
- flushing time hygiene rinse: 10 s, 20 s, 30 s
- permanent rinse activatable (single water flow for 200 seconds, suitable for thermal disinfection)
- cleaning mode: manual flow stop for cleaning
- Noise class: I
- dirt filters in the connection hoses
- frequency of hygiene rinse and flushing time hygiene rinse are dependent on each other (24 h - 10 s, 48 h - 20 s, 72 h - 30 s)
- if running with a pump, please specify a universal (negative head) pump
- KIWA UK reg 4_Vernis E-BM_2107701

Article Details

Price excl. VAT

£ 242.50

Technology**Certificates****kiwa**

Vernis Blend

Electronic basin mixer with temperature pre-adjustment mains connection 230 V

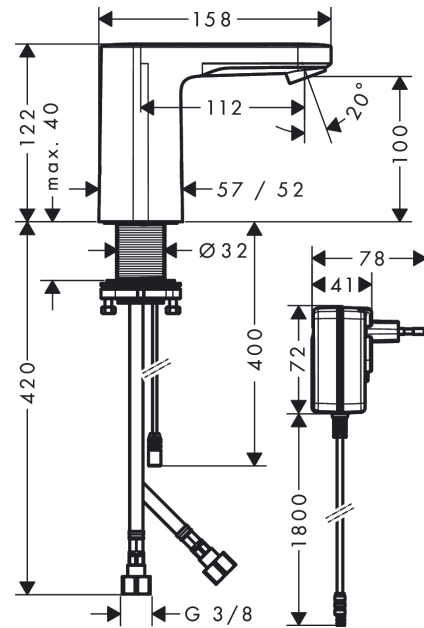
Surfaces: **chrome** Art. no. : **71501000**



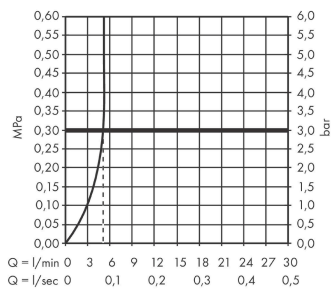
Product image



Scale drawing



Flowchart



Vernis Blend

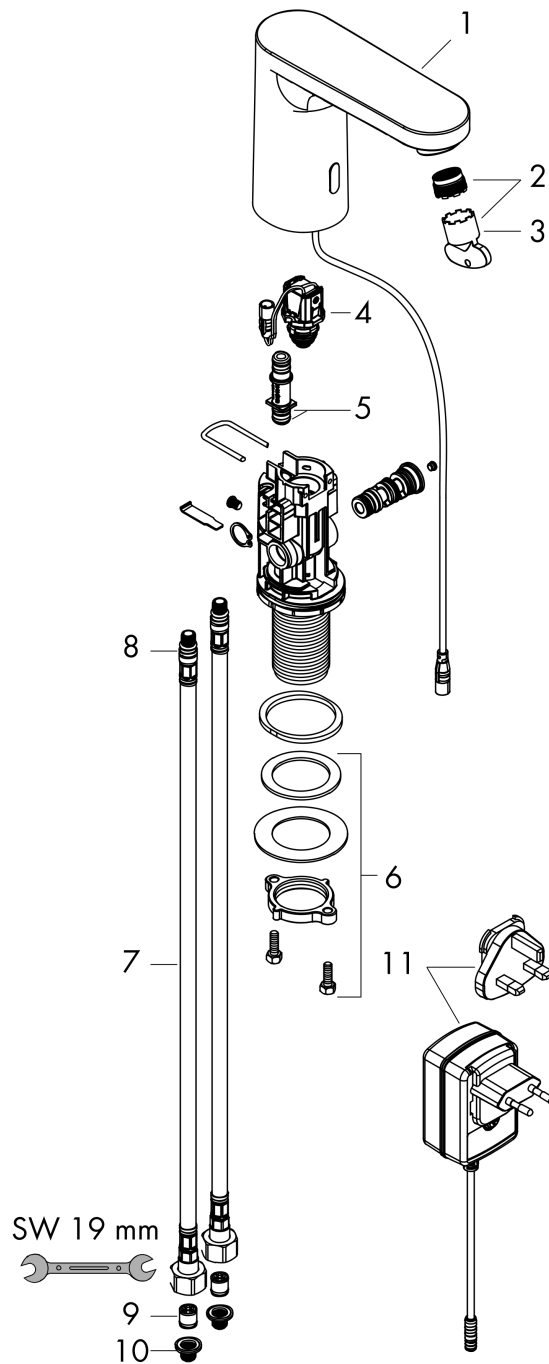
Electronic basin mixer with temperature pre-adjustment mains connection 230 V

Surfaces: **chrome** Art. no. : **71501000**



Exploded Drawing

Year of production: >09/21



Vernis Blend

Electronic basin mixer with temperature pre-adjustment mains connection 230 V

Surfaces: **chrome** Art. no. : **71501000**



Spare part list

Year of production: >09/21

Pos.	Description	Art. no.	Price	PU
1	mixer-hood	94454000	-	1
2	aerator M18x1 (5 l/min)	94451000	-	1
3	service tool	93750000	-	1
4	solenoid valve	94453000	-	1
5	O-ring 8x1,5	98423000	-	1
6	fixing set (Ø 32)	13961000	-	1
7	connection hose 450 mm M8x0,75 G3/8	93405000	-	1
8	O-ring 7x1,5	98422000	-	1
9	non return valve DW 10	96456000	-	1
10	filter packing	95291000	-	1
11	transformer	94269000	-	1
a	Thermostat	15346000	-	1
b	fixation extension 35 mm	13898000	-	1