

Vernis Blend
Single lever bath mixer for exposed installation
 Surfaces: **chrome** Art. no. : **71440000**



Description

product features

- designed to run 2 outlets
- spout 171 mm long
- Connection type: S connections
- Centre distance: 150 mm ± 12 mm
- Spray type mixer: normal spray
- Maximum flow rate (at 3 bar): 22.5 l/min
- Flow rate for bath spout (at 3 bar): 22.5 l/min
- Flow rate of hand shower (at 3 bar): 15.7 l/min
- Min. operating pressure: 1 bar
- Max. operating pressure: 10 bar
- ceramic cartridge
- Maximum temperature can be adjusted on installation
- diverter with automatic resetting
- with silencer
- exposed design allows easy installation, all working parts are outside of the wall
- Noise class: II

Article Details

Price excl. VAT £ 100.00

Technology



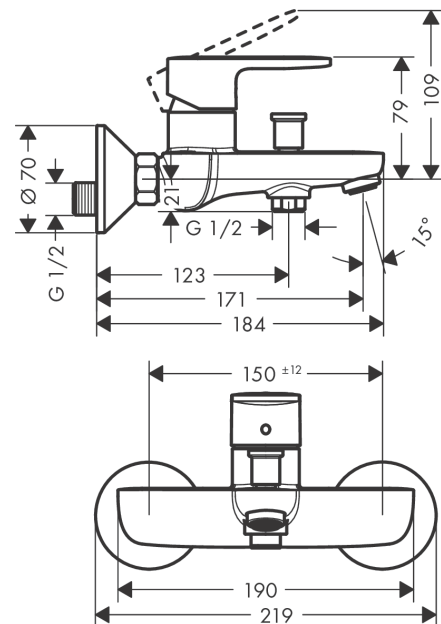
Certificates

kiwa

Product image



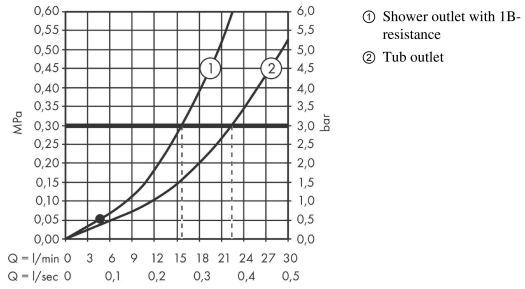
Scale drawing



Vernis Blend
Single lever bath mixer for exposed installation
 Surfaces: **chrome** Art. no. : **71440000**



Flowchart

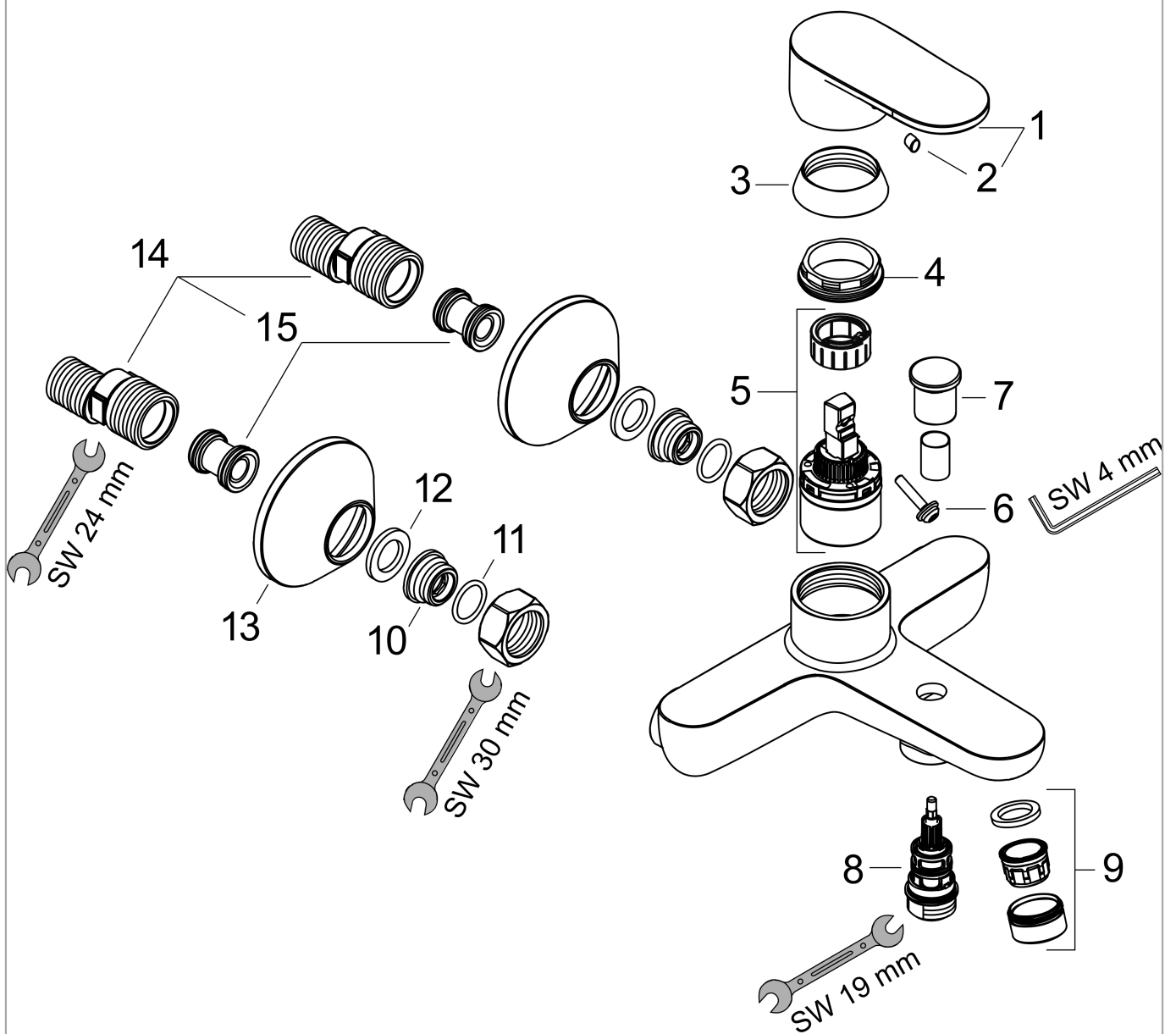


Vernis Blend
Single lever bath mixer for exposed installation
 Surfaces: **chrome** Art. no. : **71440000**



Exploded Drawing

Year of production: >01/21



Vernis Blend**Single lever bath mixer for exposed installation**Surfaces: **chrome** Art. no. : **71440000****Spare part list**

Year of production: >01/21

Pos.	Description	Art. no.	Price	PU
1	handle	93715000	-	1
2	screw cover	96338000	-	1
3	flange	93716000	-	1
4	nut	93717000	-	1
5	cartridge, assy	92730000	-	1
6	locking screw for handle	95140000	-	1
7	diverter knob	93766000	-	1
8	selector	97978000	-	1
9	aerator M24x1 (38 l/min)	92513000	-	1
10	connecting thread G½	93767000	-	1
11	O-ring 16x2	98133000	-	1
12	filter packing	96922000	-	1
13	escutcheon Ø 70 mm	93718000	-	1
14	set of S-unions (±12 mm)	94140000	-	1
15	noise reduction	96429000	-	1